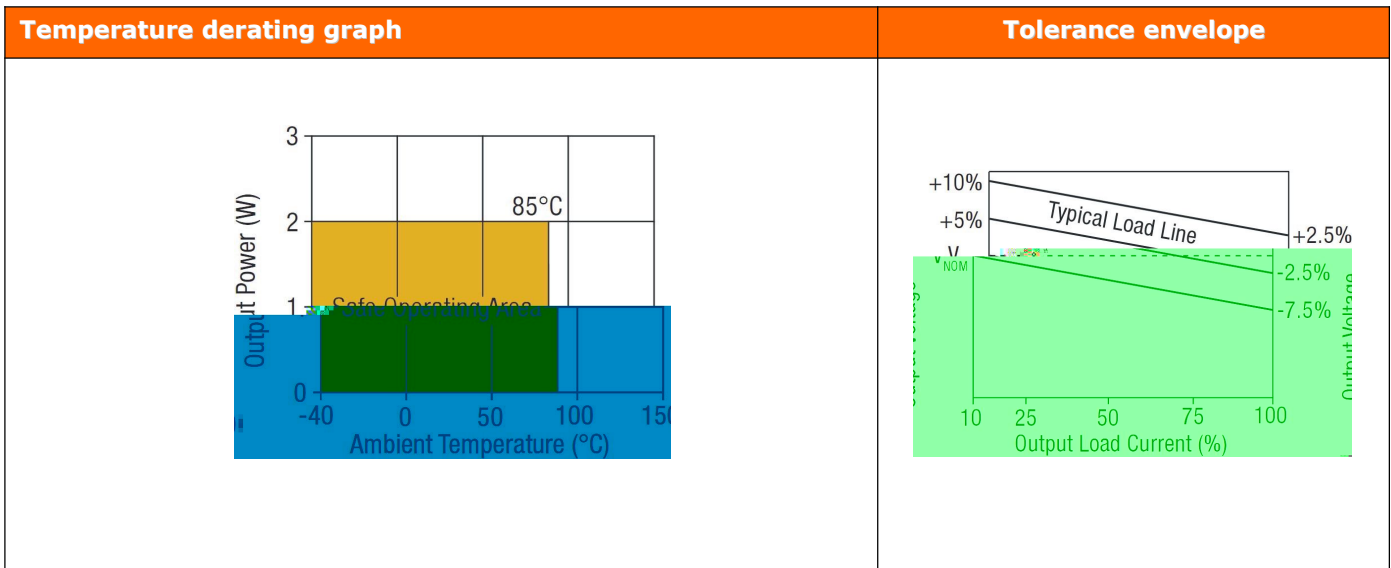


SELECTION GUIDE

Order code	Input		Output		Efficiency (%.Typ.)	Isolation Capacitance pF	MTTF ¹ KHrs
	Voltage(VDC)	Current (mA)	Voltage (VDC)	Current (mA)			
	Nominal	MAX					
			±	±			1574
			±	±			663
			±	±			338
			±	±			187
			±	±			155
			±	±			490
			±	±			343
			±	±			229
			±	±			148
			±	±			138
			±	±			318
			±	±			249
			±	±			490
			±	±			183
			±	±			127
			±	±			120
			±	±			235
			±	±			195
			±	±			152
			±	±			112
			±	±			1574
			±	±			663
			±	±			338
			±	±			187
			±	±			490
			±	±			343
			±	±			229
			±	±			148
			±	±			318
			±	±			249
			±	±			157
			±	±			183
			±	±			127
			±	±			235
			±	±			195
			±	±			152
			±	±			112

① ② ③ ④ ⑤

- ① Product Series
- ② Input Voltage
- ③ Output Voltage
- ④ Fixed Input
- ⑤ SIP Package



Technical notes

[REDACTED]

[REDACTED]

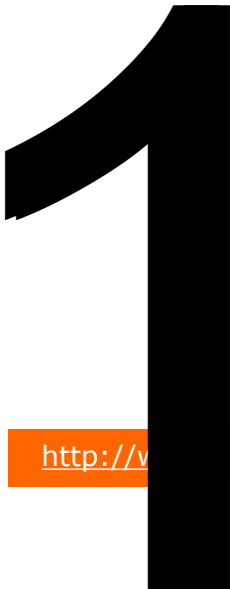
[REDACTED]

[REDACTED]

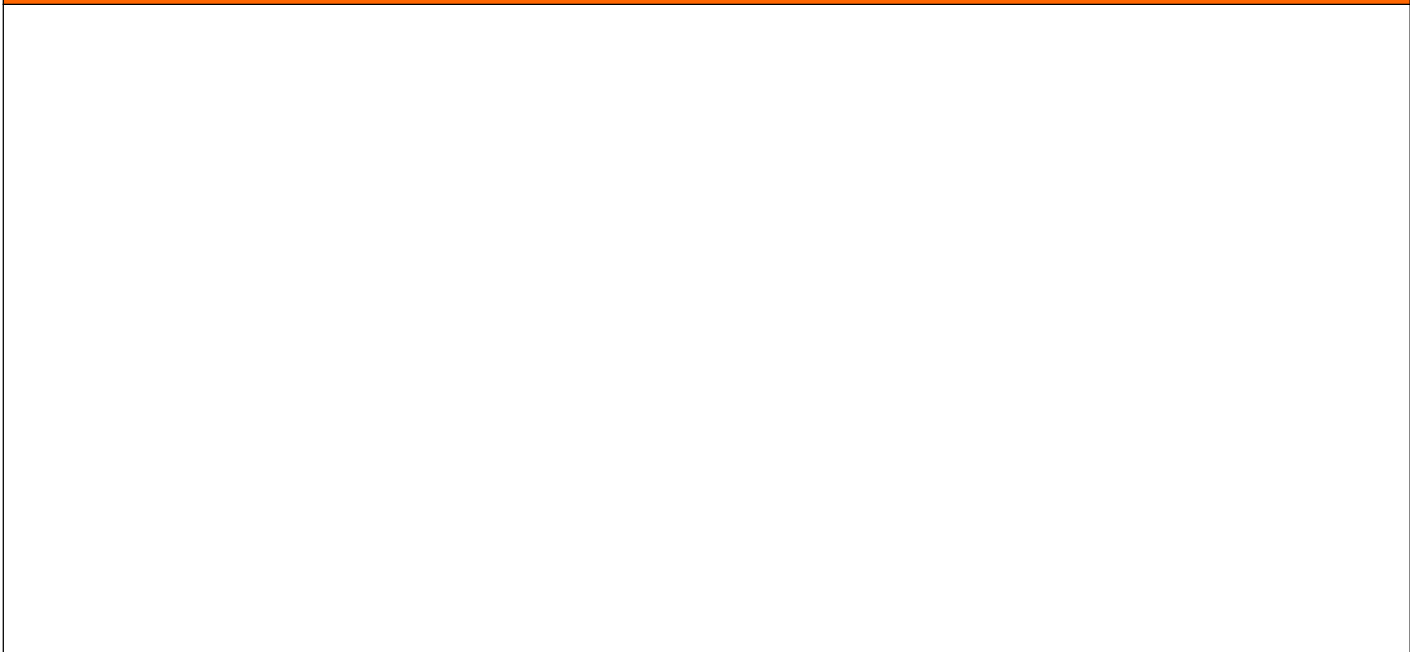
[REDACTED]

Technical notes

[REDACTED]



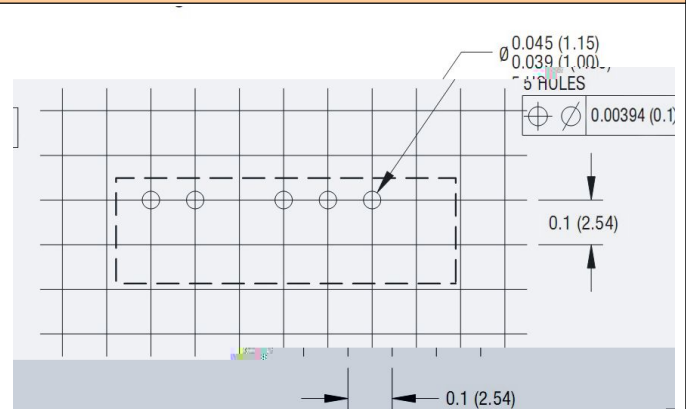
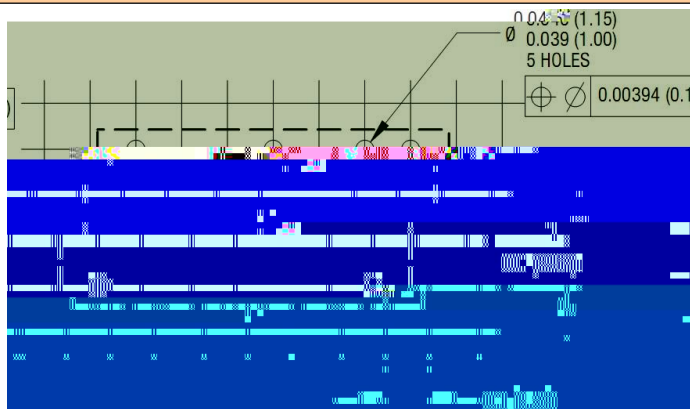
OUTLINE DIMENSIONS & FOOTPRINT DETAILS



Recommended footprint details

14 PIN DIP Package

7 PIN SIP Package



TUBE OUTLINE DIMENSIONS

14 PIN DIP Tube 3 TD () 3 () 6.571875 (26.27) 33.55 278.3 536.7 10.475 300.776 cm /FX