

SELECTION GUIDE


MODEL SELECTION

B<sup>①</sup>05<sup>②</sup>05<sup>③</sup>X<sup>④</sup>N1<sup>⑤</sup>S<sup>⑥</sup>

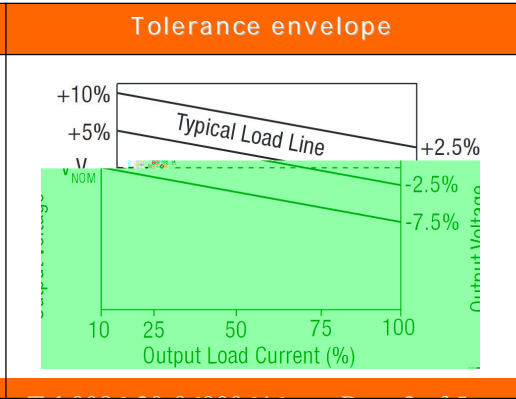
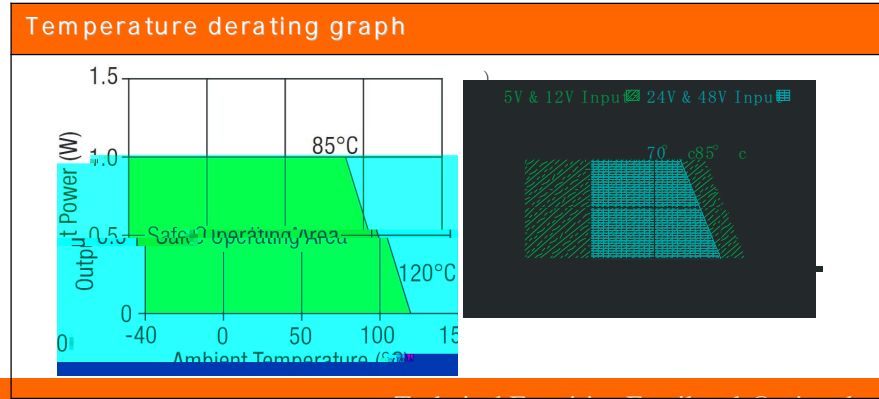
- ①
- ②
- ③
- ④
- ⑤
- ⑥

C

Output Specifications					
Parameter	Conditions	Min.	Typ.	Max.	Units

General Characteristics					
Parameter	Conditions	Min.	Typ.	Max.	Units

Temperature Characteristics					
Parameter	Conditions	Min.	Typ.	Max.	Units
					°C
					°C
					°C
					°C
					°C
					°C
					°C



”

OUTLINE DIMENSIONS & FOOTPRINT DETAILS

MECHANICAL DIMENSIONS

SIP Package



FOOTPRINT DETAILS

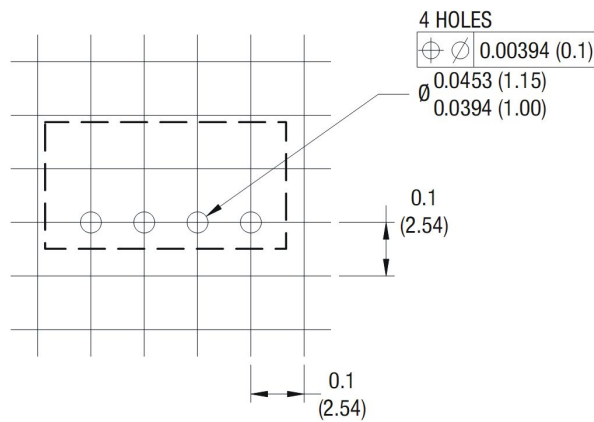
-4 PIN SIP



Specifications can be changed any time without notice.  
No parallel connection or plug and play.

Recommended footprint details

4 PIN SIP Package



TUBE OUTLINE DIMENSIONS

4 PIN SIP Tube

