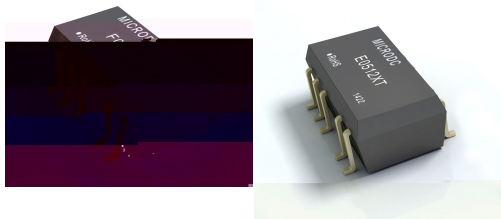


1W, FIXED INPUT, ISOLATED SINGLE/DUAL OUTPUT



SELECTION GUIDE

Model	Output Voltage (V)	Output Current (A)	Output Power (W)	Efficiency (%)	Isolation Voltage (V)
F0503XT	5	4.5-5.5	3.3	260	81
F0505XT	5	4.5-5.5	5	200	83
F0512XT	5	4.5-5.5	12	84	74
F0515XT	5	4.5-5.5	15	67	76
E0505XT	5	4.5-5.5	±5	±100	81
E0512XT	5	4.5-5.5	±12	±42	85
E0515XT	5	4.5-5.5	±15	±34	83
F1203XT	12	10.8-13.2	3.3	260	86
F1205XT	12	10.8-13.2	5	200	85
F1212XT	12	10.8-13.2	12	84	74
F1215XT	12	10.8-13.2	15	67	78
E1205XT	12	10.8-13.2	±5	±100	80
E1212XT	12	10.8-13.2	±12	±42	80
E1215XT	12	10.8-13.2	±15	±34	85
F2403XT	24	21.6-26.4	3.3	260	81
F2405XT	24	21.6-26.4	5	200	85
F2412XT	24	21.6-26.4	12	84	83
F2415XT	24	21.6-26.4	15	67	86
E2405XT	24	21.6-26.4	±5	±100	85
E2412XT	24	21.6-26.4	±12	±42	74
E2415XT	24	21.6-26.4	±15	±34	78

MODEL SELECTION

F(E)^①05^②05^③X^④I^⑤

- ① Output Voltage
- ② Output Current
- ③ Output Power
- ④ Efficiency
- ⑤ Isolation Voltage

Case material: non-conductive plastic (UL 91V-0 rated)

Weight: 2.0g (0.07oz)



CE REACH

Output Specifications		
Parameter	Conditions	
Voltage set accuracy	see graphs below	
Regulation	- Input variation	1.2 % / 1 % change V_{in}
	- Load variation	see graphs below
Voltage balance (dual output models, balanced load)	$\pm 1.0\%$ max.	
Temperature coefficient	0.1 %/K	
Ripple and noise (20 MHz Bandwidth)	100 mVp-p max.	
Temperature coefficient	$\pm 0.02\%/K$ max.	
Short circuit protection	limited 0.5 sec. max.	
Capacitive load	3.3 VDC output models:	33 μ F max.
	5 VDC output models:	33 μ F max.
	12 VDC output models:	4.7 μ F max.
	15 VDC output models:	2.2 μ F max.
	± 5 VDC output models:	10 μ F max.
	± 12 VDC output models:	2.2 μ F max.
	± 15 VDC output models:	2.2 μ F max.

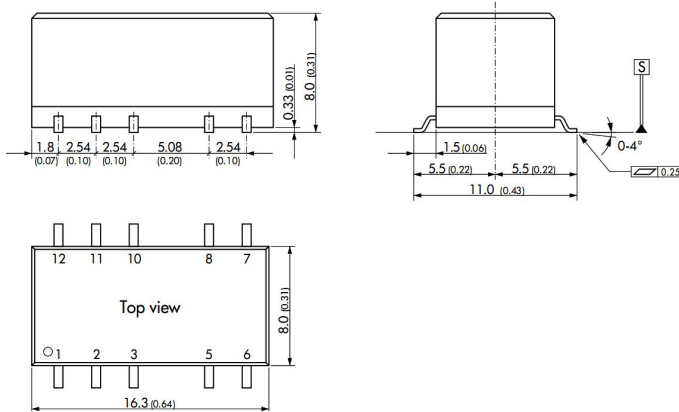
General Specifications		
Parameter	Conditions	
Temperature ranges	- Operating	- 40 °C ~ + 85 °C (no derating)
	- Case temperature	+95°C max.
	- Storage	- 55 °C ~ + 125 °C
Load derating	(convection cooling)	4%/K above +75°C
Humidity (non condensing)		95 % rel. H max.
Reliability, calculated MTBF (MIL-HDBK-217F ground benign)		>2Mio h
Isolation voltage (60 sec)	- Input/Output	3000 VDC
Isolation capacity	- Input/Output(100kHz, 1V)	60 pF typ.
Isolation resistance	- Input/Output (500 VDC)	>1 GOhm
Switching frequency		50 to 150 kHz (depending on load)

Output voltage variation dependent on load (at nominal input voltage)

All specifications valid at nominal input voltage, full load and +25°C after warm-up time unless otherwise stated.

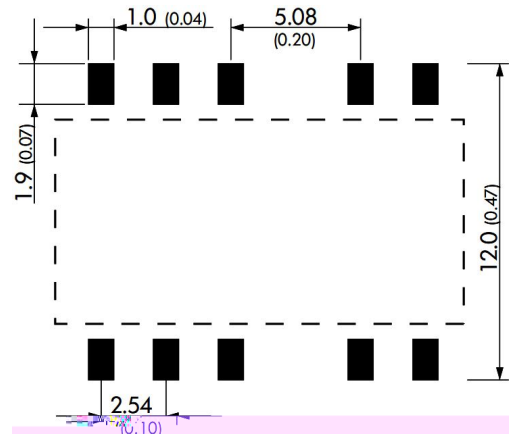
OUTLINE DIMENSIONS & FOOTPRINT DETAILS

MECHANICAL DIMENSIONS



Note:
 Unit:mm[inch]
 Pin section tolerances:±0.10mm[±0.004inch]
 General tolerances:±0.25mm[±0.010inch]

SOLDER PAD DIMENSION



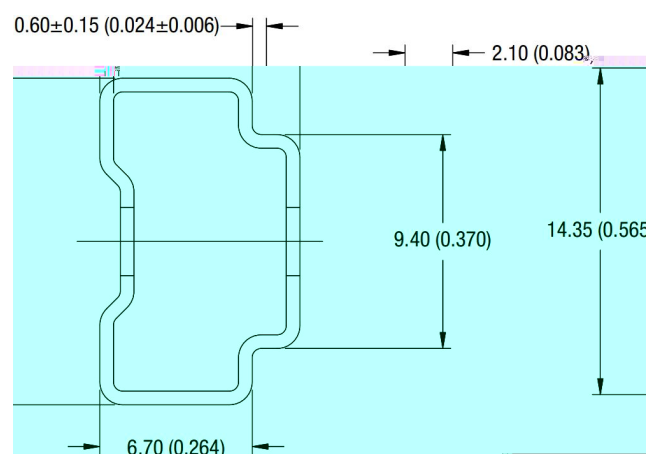
Dimensions in [mm], () = Inch
 Pin pitch tolerances: ±0.13 (±0.005)
 Other tolerances: ±0.25 (±0.01)

FOOTPRINT DETAILS

Pin	Single	Dual
1	-Vin(GND)	-Vin(GND)
2	+Vin	+Vin
3	No con.	No con.
5	-Vout	Common
6	No con.	-Vout
7	No con.	No con.
8	+Vout	+Vout
10	No con.	No con.
11	No con.	No con.
12	No con.	No con.

No con.=Pin to be isolated from circuitry

TUBE OUTLINE DIMENSIONS



Unless otherwise stated all dimensions in mm±0.5 (inches ±0.02).
 Tube length : 475±2.0 (18.70±0.07). Tube Quantity :25

Specifications can be changed any time without notice.

No parallel connection or plug and play.

Note:

1. The load shouldn't be less than 10%, otherwise ripple will increase dramatically.
2. Operation under 10% load will not damage the converter; However, they may not meet all specification listed.
3. All specifications measured at Ta=25°C, humidity<75%, nominal input voltage and rated output load unless otherwise specified.
4. In this datasheet, all the test methods of indications are based on corporate standards.
5. Only typical models listed, other models may be different, please contact our technical person for more details.