

OUTPUT CHARACTERISTICS

	°C ~ °C				

ISOLATION CHARACTERISTICS

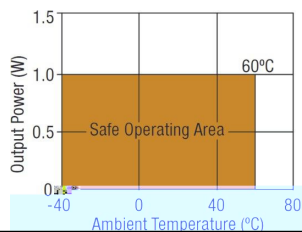
					Ω

GENERAL CHARACTERISTICS

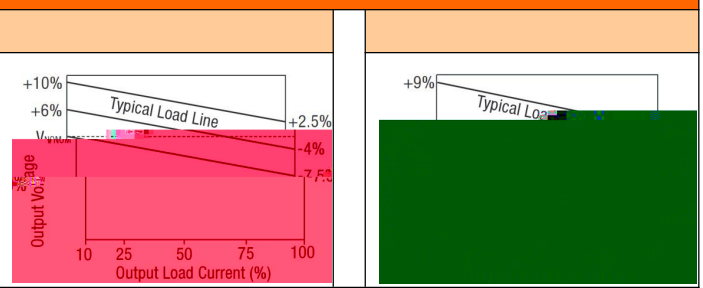
TEMPERATURE CHARACTERISTICS

					°C

TEMPERATURE DERATING GRAPH



TOLERANCE ENVELOPE



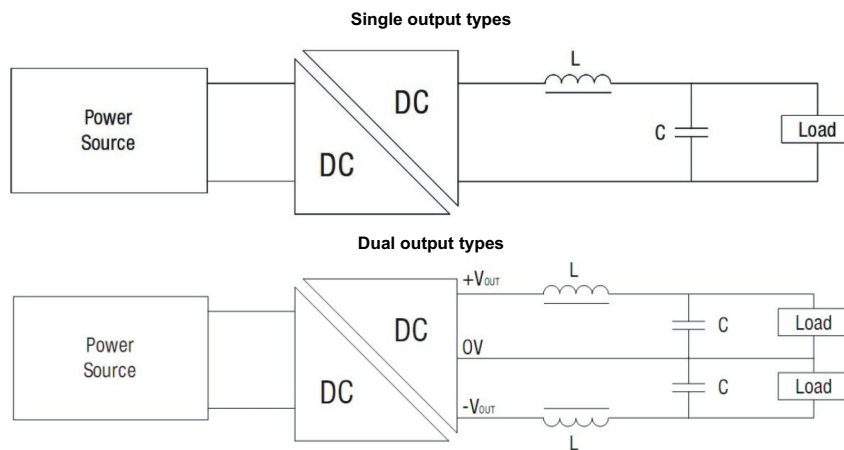
TECHNICAL NOTES

ISOLATION VOLTAGE

REPEATED HIGH-VOLTAGE ISOLATION TESTING

OUTPUT RIPPLE REDUCTION

Component selection



OUTPUT RIPPLE REDUCTION

	Ω
	Ω
	Ω

Differential Mode Noise Test Schematic

