

Output Specifications

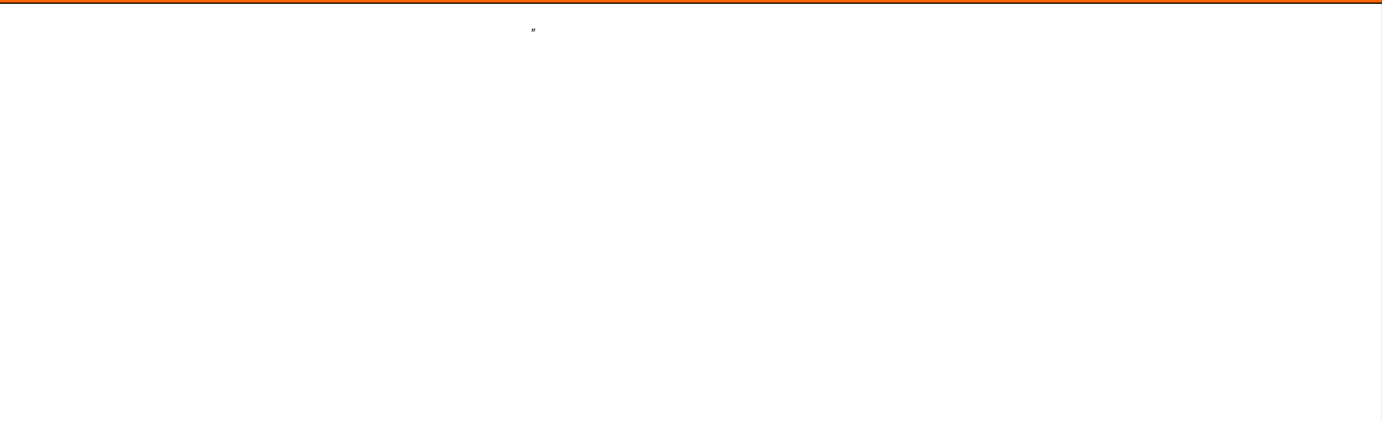
| Parameter | Conditions | Min. | Typ. | Max. | Units |
|-----------|------------|------|------|------|-------|
|-----------|------------|------|------|------|-------|



Isolation Characteristics

| Parameter | Conditions | Min. | Typ. | Max. | Units |
|-----------|------------|------|------|------|-------|
| | | | | | |
| | | | | | |
| | | | | | |

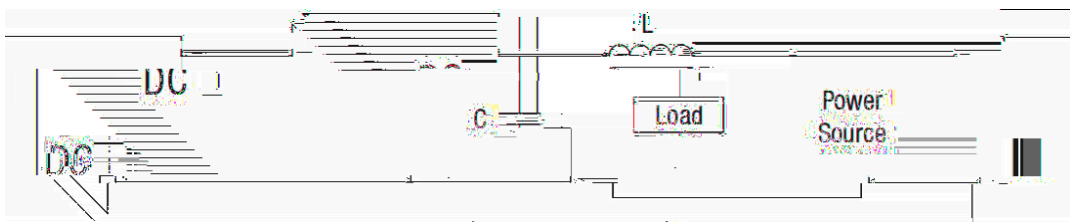
Technical notes



Technical notes

Operational circuit

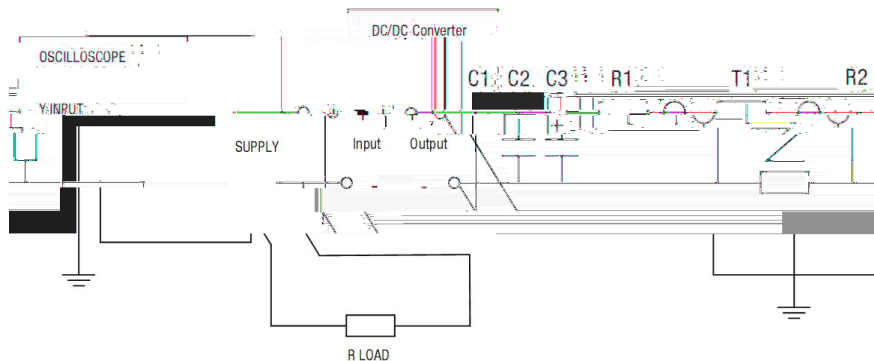
Circuit diagram



Relative & Nominal Mechanical Method

| | |
|--|-------|
| | μ |
| | μ |
| | \pm |
| | \pm |
| | \pm |
| | \pm |

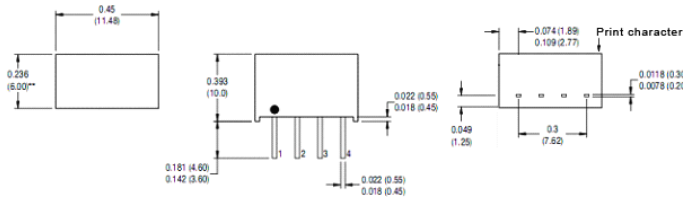
Differential Mode Test Schematic



OUTLINE DIMENSIONS & FOOTPRINT DETAILS

MECHANICAL DIMENSIONS

SIP Package



FOOTPRINT DETAILS

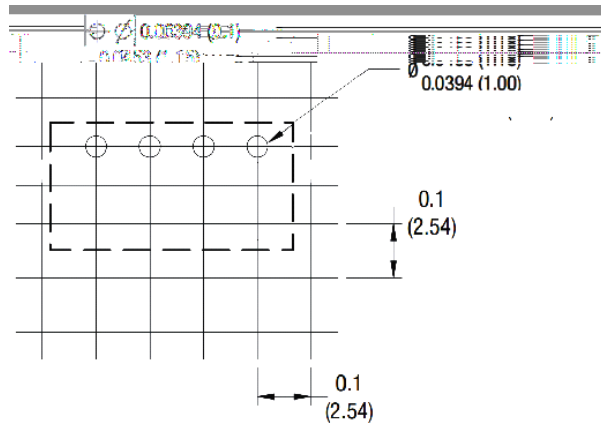
-4 PIN SIP

| | | | |
|--|--|--|--|
| | | | |
| | | | |
| | | | |
| | | | |

S e c i f i c a t i o n e s a r e s u b j e c t t o c h a n g e w i t h o u t n o t i c e .
N o t a l l c o n d i t i o n s a r e g a r a n t e e d .

Recommended footprint details

4 PIN SIP Package



TUBE OUTLINE DIMENSIONS

4 PIN SIP Tube

