

SELECTION GUIDE

--	--	--



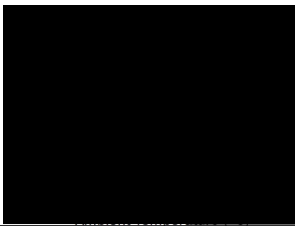
OUTPUT CHARACTERISTICS

ISOLATION CHARACTERISTICS

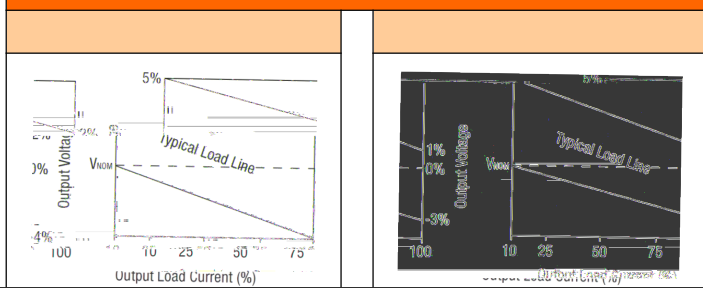
GENERAL CHARACTERISTICS

TEMPERATURE CHARACTERISTICS

TEMPERATURE DERATING GRAPH



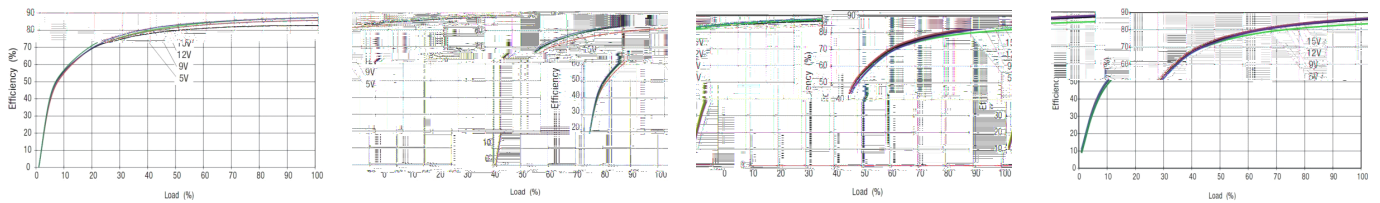
TOLERANCE ENVELOPE



TECHNICAL NOTES



EFFICIENCY VS LOAD

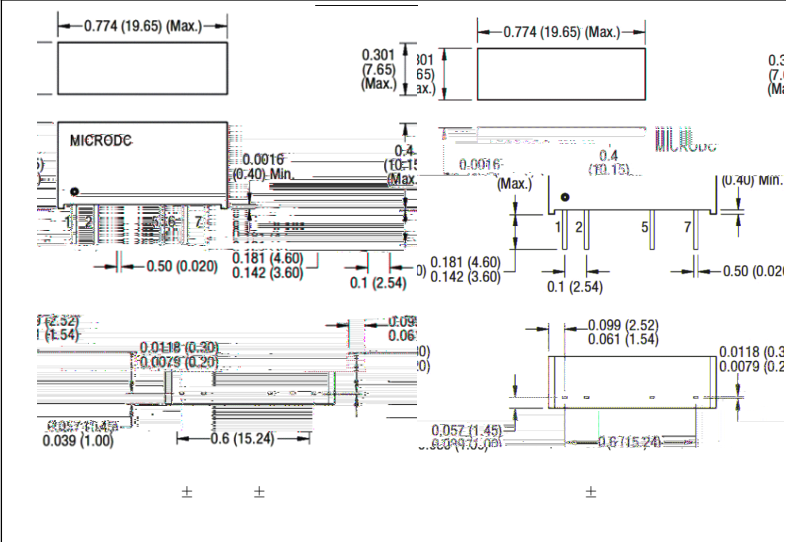


CHARACTERISATION TEST METHODS



PACKAGE SPECIFICATIONS

MECHANICAL DIMENSIONS



PIN CONNECTIONS

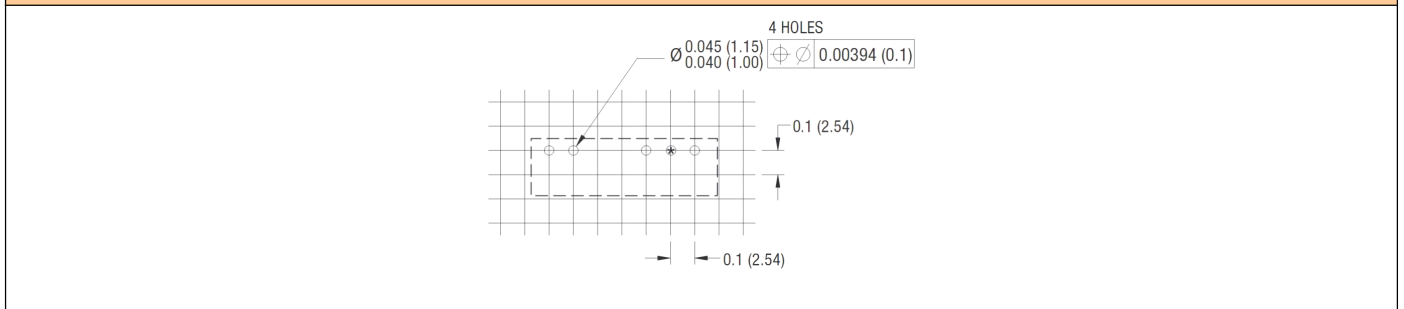
SINGLE OUTPUT VARIANTS

DUAL OUTPUT VARIANTS

F-XS-2W	

E-XS-2W	

RECOMMENDED FOOTPRINT DETAILS



TUBE OUTLINE DIMENSIONS

