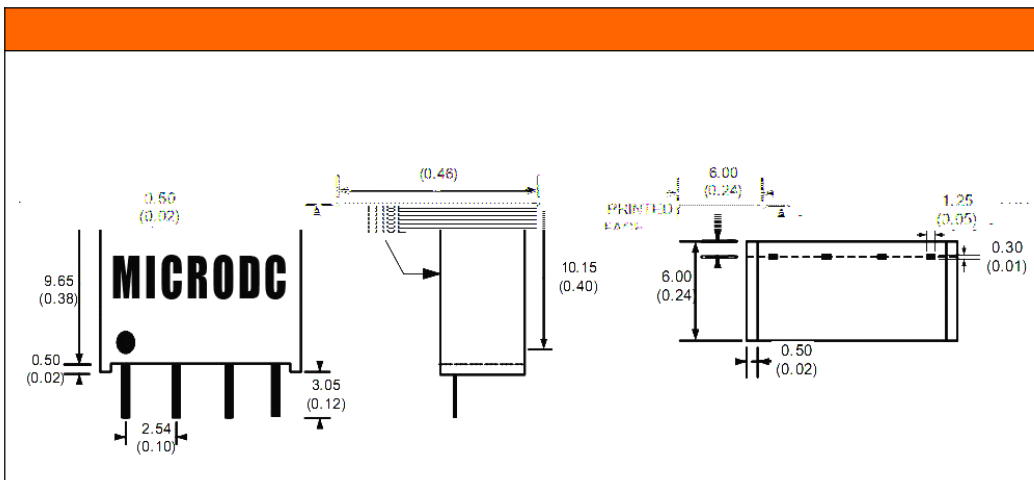
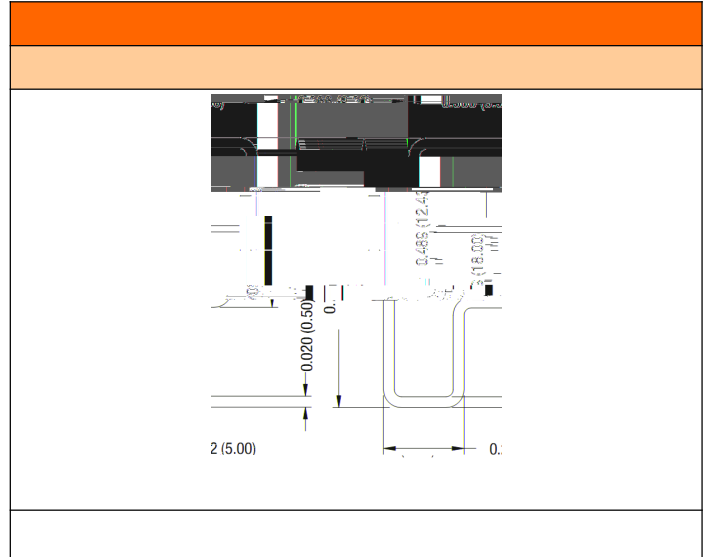
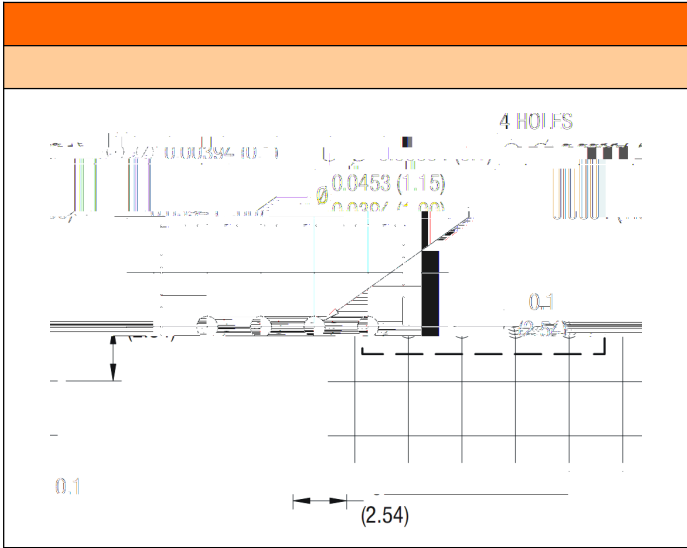


MICRODC		
Model	Power	Efficiency

Parameters	Nominal	Typical	Maximum	Units
		-		

Parameters	Conditions	Typical	Rated	Units



Pin	Single