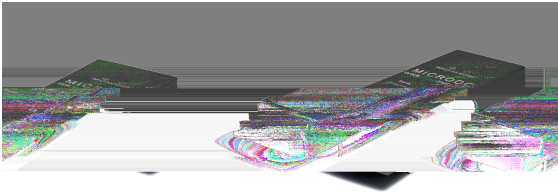




**WRA-ZMD-30W & WRB-ZMD -30W** GYf]Yg

**30W, WIDE INPUT, ISOLATED & REGULATED DUAL/SINGLE OUTPUT DC-DC CONVERTER**



## FEATURES

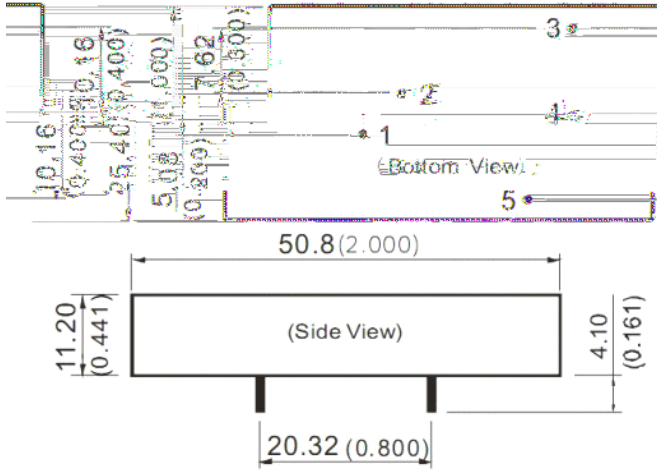
- \_\_\_\_\_
- \_\_\_\_\_
- \_\_\_\_\_



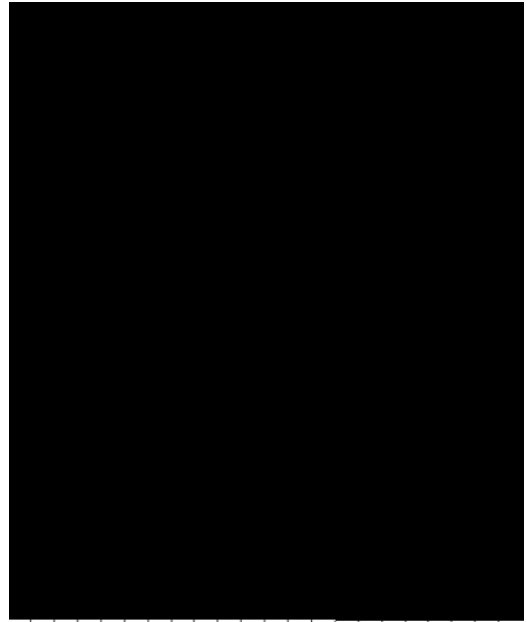
**CE** REACH

**OUTLINE DIMENSIONS & FOOTPRINT DETAILS**

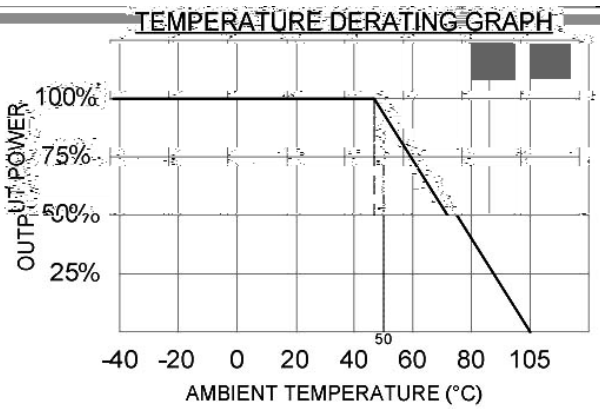
**MECHANICAL DIMENSIONS**



**RECOMMENDED FOOTPRINT**

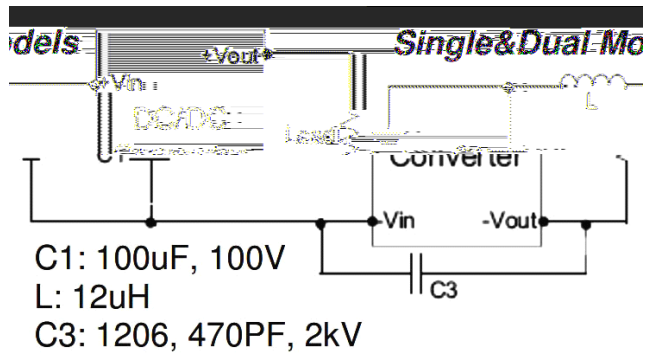


**TEMPERATURE DERATING GRAPH**



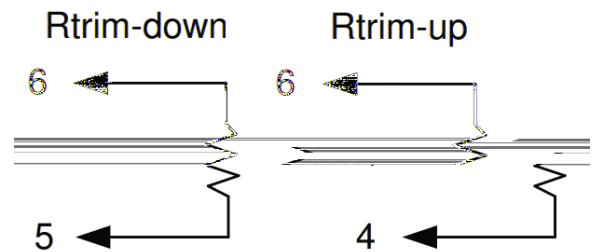
**TUBE OUTLINE DIMENSIONS**

**EMI Filter**



**EMC SPECIFICATIONS**


**External Output Trimming**



**Over Voltage Protection(Zener diode clamp)**


**Under Input Voltage**