

ELEC I G IDE							
Order code	Input			Output			Efficiency (% Typ)
	Voltage(VDC)			Voltage (VDC)	Current(mA)		
	Nominal	Range	Max.*		Max.	Min.	
WRA2405ZT-1W5	24	9-36	40	± 5	± 150	± 15	74
WRA2412ZT-1W5	24	9-36	40	± 12	± 63	± 6	77
WRA2415ZT-1W5	24	9-36	40	± 15	± 50	± 5	75
WRB2403ZT-1W5	24	9-36	40	3.3	500	50	71
WRB2405ZT-1W5	24	9-36	40	5	300	30	76
WRB2409ZT-1W5	24	9-36	40	9	167	17	76
WRB2412ZT-1W5	24	9-36	40	12	125	12	79
WRB2415ZT-1W5	24	9-36	40	15	100	10	80
WRA4805ZT-1W5	48	18-72	80	± 5	± 150	± 15	74
WRA4812ZT-1W5	48	18-72	80	± 12	± 63	± 6	76
WRA4815ZT-1W5	48	18-72	80	± 15	± 50	± 5	76
WRB4803ZT-1W5	48	18-72	80	3.3	500	50	72
WRB4805ZT-1W5	48	18-72	80	5	300	30	75
WRB4809ZT-1W5	48	18-72	80	9	167	17	78
WRB4812ZT-1W5	48	18-72	80	12	125	12	77
WRB4815ZT-1W5	48	18-72	80	15	100	10	77

\*Input voltage can't exceed this value, or will cause the permanent damage.

**AC89@ G9@97H-CB**  
**KF5 &( \$) N H !%K)**

Product Series      Input Voltage  
Output Voltage      Wide (4:1) Input Range  
SMD Package        Rated Power

**C**

SPECIFICATIONS					
Parameter	Test conditions	Min.	Typ.	Max	Units
Isolation voltage	Tested for 1 minute and 1mA max	1500			VDC
Isolation resistance	Test at 500VDC	1000			M
Isolation capacitance	Input/Output, 100KHz/1V		1000		μF

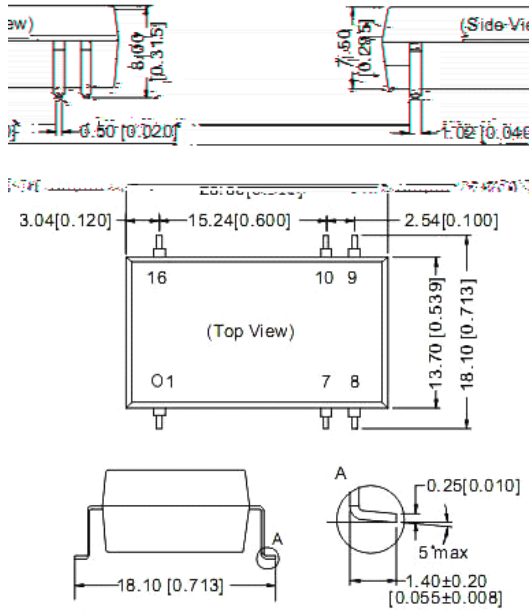
**APPENDIX**

**1. Pin Configuration**

In order

**LI EDI E I & F I DE AIL**

**ECHA ICAL DI E I**



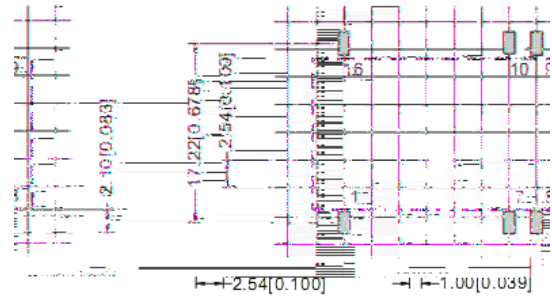
FOOTPRINT DETAILS		
Pin	Single	Dual
1	GND	GND
2	NC	INS
5	NC	0V
10	0V	-Vo
16	Vin	Vin

NC: No connection

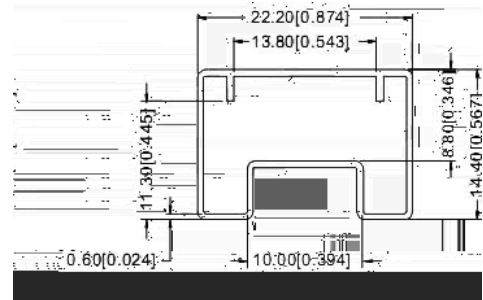
Note:  
 Unit:mm[inch]  
 Pin section tolerances:±0.10mm[±0.004inch]  
 General tolerances:±0.25mm[±0.010inch]

**EC E DED F I ( IE )**

**DUAL/SINGLE OUTPUT**



**BE LI EDI E I**



**Note:**

Unit:mm[inch]

L=530mm[20.866inch] pcs/tube: 21  
 L=220mm[8.661inch] pcs/tube: 8

**Note:**

- The load shouldn't be less than 10%, otherwise ripple will increase dramatically.
- Operation under 10% load will not damage the converter; However, they may not meet all specification listed.
- Capacitor MAX load tested at input voltage range and full load.
- All specifications measured at Ta=25 , humidity<75%, nominal input voltage and rated output load unless otherwise specified.
- Only typical models listed, other models may be different, please contact our technical person for more details.
- In this datasheet, all the test methods of indications are based on corporate standards.



**RoHS COMPLIANT INFORMATION**

This series is compatible with RoHS soldering systems with a peak wave solder temperature of 300°C for 10 seconds. The pin termination finish on the SIP package type is Tin Plate, Hot Dipped over Matte Tin with Nickel Preplate. The DIP types are Matte Tin over Nickel Preplate. Both types in this series are backward compatible with Sn/Pb soldering systems.



**REACH COMPLIANT INFORMATION**

This series has proven that this product does not contain harmful chemicals, it also has harmful chemical substances through the registration, inspection and approval.