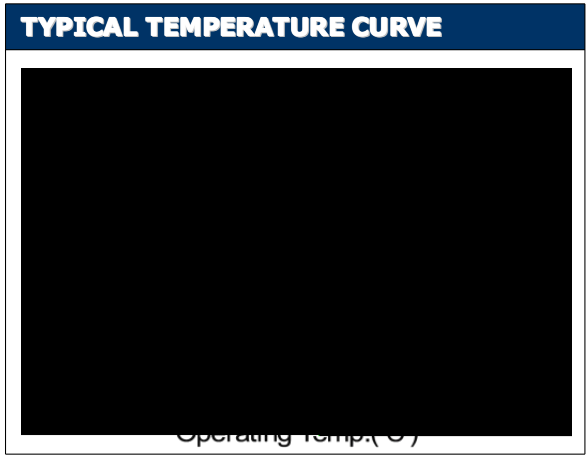
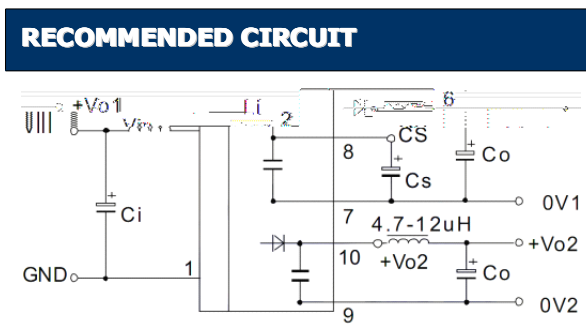


OUTPUT SPECIFICATIONS					
			±		
			±		
			±		
			±	±	
					°C



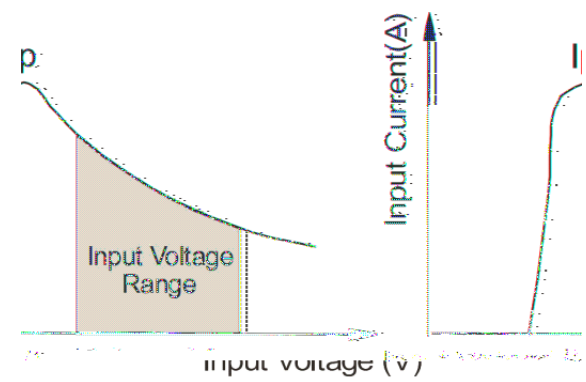
COMMON SPECIFICATIONS					



(Figure 1)

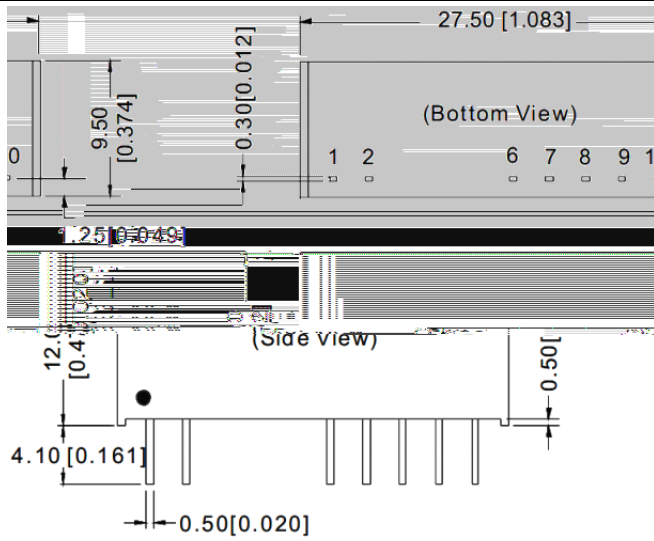
**APPLICATION NOTE**

Blank area for application notes.

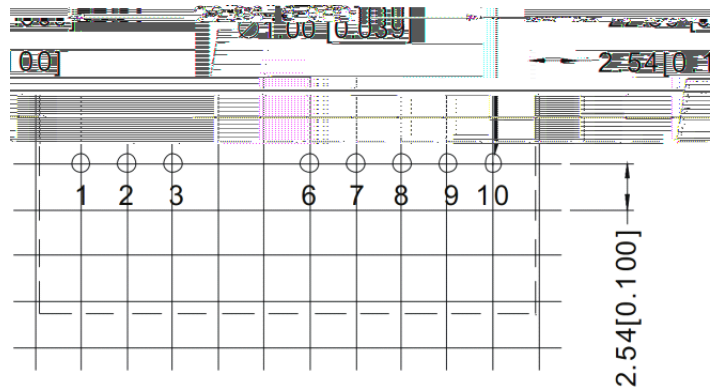


(Figure 2)


### MECHANICAL DIMENSIONS



### RECOMMENDED FOOTPRINT



### TUBE OUTLINE DIMENSIONS

