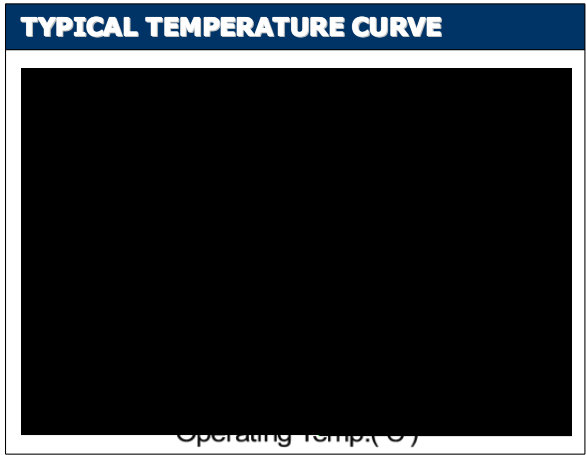
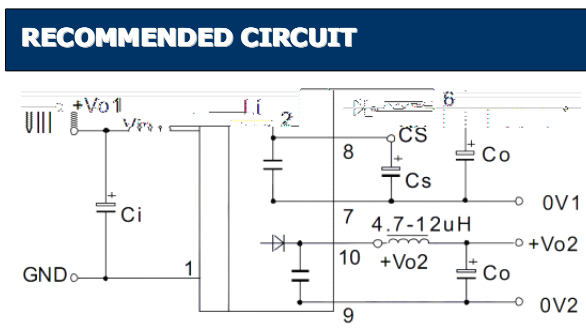


OUTPUT SPECIFICATIONS					
			±		
			±		
			±		
			±	±	
					°C

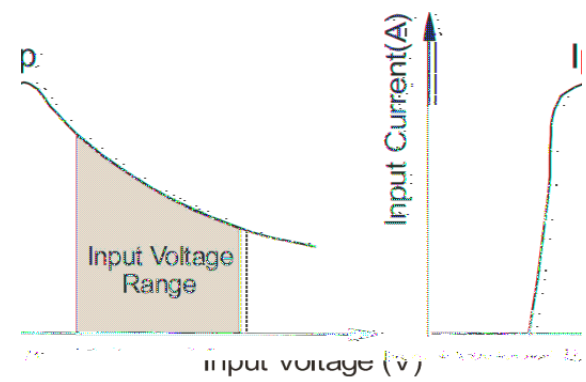


COMMON SPECIFICATIONS					



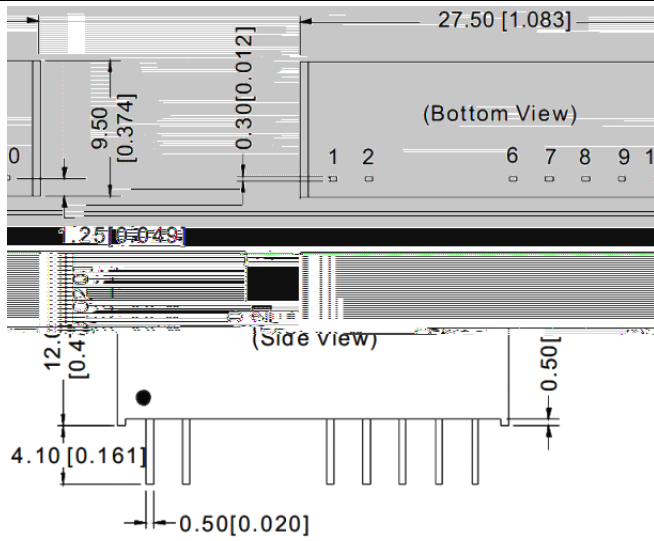
(Figure 1)

APPLICATION NOTE

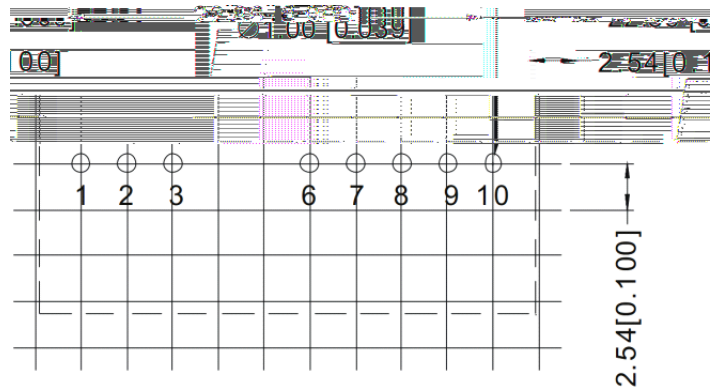


(Figure 2)

MECHANICAL DIMENSIONS



RECOMMENDED FOOTPRINT



TUBE OUTLINE DIMENSIONS

